

UserManual

FCC STATEMENT

1. This device complies with Part 15 of the FCC Rules. Operation is subject to the following two conditions:
 - (1) This device may not cause harmful interference.
 - (2) This device must accept any interference received, including interference that may cause undesirable operation.
2. Changes or modifications not expressly approved by the party responsible for compliance could void the user's authority to operate the equipment.

NOTE: This equipment has been tested and found to comply with the limits for a Class B digital device, pursuant to Part 15 of the FCC Rules. These limits are designed to provide reasonable protection against harmful interference in a residential installation. This equipment generates, uses and can radiate radio frequency energy and, if not installed and used in accordance with these instructions, may cause harmful interference to radio communications. However, there is no guarantee that interference will not occur in a particular installation. If this equipment does cause harmful interference to radio or television reception, which can be determined by turning the equipment off and on, the user is encouraged to try to correct the interference by one or more of the following measures:

- Reorientate or relocate the receiving antenna.
- Increase the separation between the equipment and receiver.
- Connect the equipment into an outlet on a circuit different from that to which the receiver is connected.
- Consult the dealer or an experienced radio/TV technician for help.

RF warning statement:

The device has been evaluated to meet general RF exposure requirement. The device can be used in portable exposure condition without restriction.

Sanho Manufacturer's Limited Warranty

Sanho warrants to the end user, that this product, excluding content and or software supplied with or on the product, will be free from material defects in manufacture, will conform to Sanho's published product specifications and be fit for normal use during the Warranty Period specified below commencing on the date of purchase provided that the product is legally placed on the market.

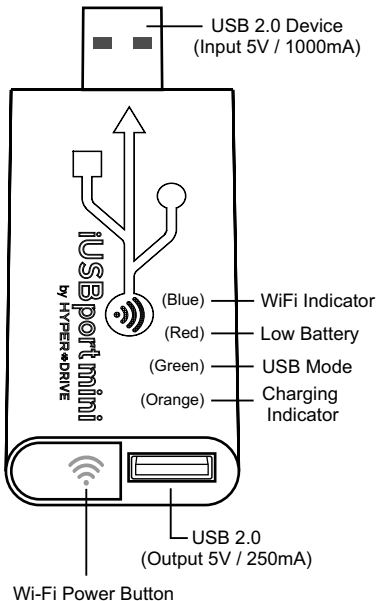
To make a warranty claim please contact Sanho at the telephone number below or support@hypershop.com within the Warranty Period and provide proof of purchase (showing date and place of purchase and name of the reseller) and product name, type and number. You may return the product after first obtaining a Return Material Authorization number and following any other guidelines listed. For further information see www.hypershop.com. Sanho may at its option repair this product or provide you with an equivalent product; and if unable to repair or replace the product, will refund the purchase price. Sanho will not be liable for indirect or consequential damage (including loss of data), or for damage caused by improper use (including use in an incompatible device and use not in accordance with the instructions), or by improper installation, unprofessional repair, modification or accident. This constitutes Sanho's entire liability which will never exceed the price you paid for it, plus the necessary costs you made for the warranty claim. Sanho products must not be used in applications where failure could threaten injury or life, such as life support systems. National, state and local laws may grant you other rights that are not affected by this warranty.

Warranty Period: 1 Year

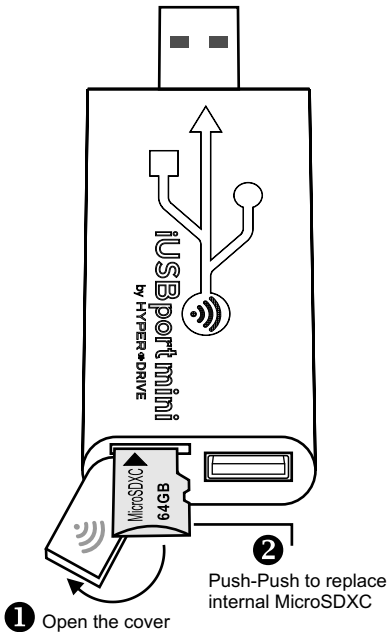
Sanho Corporation
47456 Fremont Blvd.
Fremont, CA 94538, U.S.A.
Tel: +1-408-737-7878

Additional terms and conditions can be found at
www.hypershop.com

What's In The Box

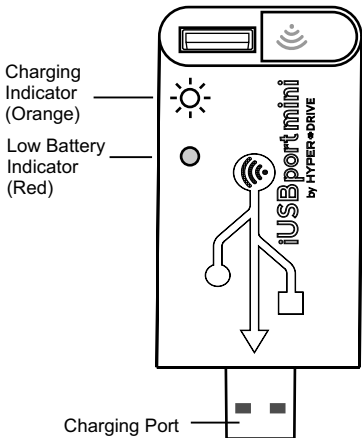


Replace Internal Flash



Battery Charging

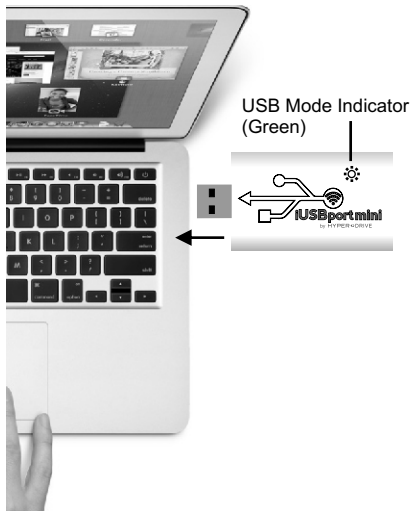
The product package does not include a USB charger. We recommend that you use a 5V/1A USB charger to charge the battery.



When the 'Low Battery' indicator light on, you should charge the iUSBport Mini . **After lighting on for 3 minutes, iUSBport Mini will turn off automatically.**

The charging indicator will blink orange during charging. When the battery is fully charged, the charging indicator will stop blinking. (~3hrs to full charge from empty)

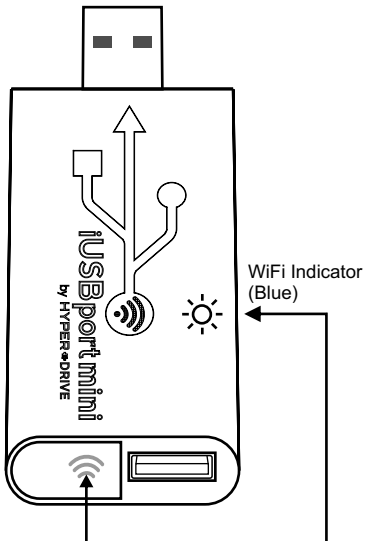
Connect To PC



When the 'USB Mode' indicator light on, iUSBport Mini was recognized by your PC. The USB mode indicator will blink green during data transferring.

Do not disconnect iUSBport Mini when the green LED was blinking otherwise, data may be damaged.

Enable Wi-Fi



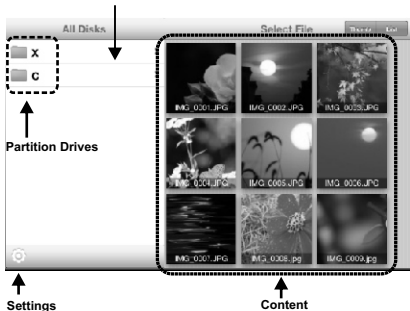
- 1** Push Wi-Fi power button for 2 seconds.
- 2** Wait for 20 seconds until the WiFi indicator starts to blink.
- 3** Connect your WiFi enabled device to iUSBport Mini according to next chapters.

Connecting To iUSBport Mini

- 1 Go to "Settings" on your mobile device (e.g. iPad)
- 2 Select "iUSBmini" from the list of Wi-Fi networks.



- 3 Enter '<http://199.0.0.1>' in the URL address bar of the web browser. The contents of the USB device will be displayed in the browser.



Standard Network Service List

There are several standard network servers in iUSBport Mini, such as FTP, WebDAV and Samba servers. iUSBport Mini can be accessed by standard FTP, WebDAV or Samba client software. FTP, WebDAV and Samba servers support read and write operation if the storage device is 'FAT32' formatted .

FTP Settings

FTP IP address: **199.0.0.1** (Master mode)
FTP server TCP/IP port number: 21
FTP server user name: anonymous
FTP server password: <none>

WebDAV Settings

WebDAV IP address: **http://199.0.0.1:81/webdav**
WebDAV server user name: <none>
WebDAV server password: <none>

Samba Settings

Samba server IP address: **199.0.0.1** (Master mode)
Samba server TCP/IP port number: **139**
Samba server user name: Guest
Samba server password: <none>

Specifications

Model:	iUSBport Mini
USB Host Port:	USB2.0 High Speed 480MBps
USB Device Port:	USB2.0 High Speed 480MBps
Wireless:	WiFi 802.11b/g/n
LED Indicator:	Green, Blue, Red, Orange
Charging Rate:	DC 5V 1A
USB Output Rate:	DC 5V 250mA
Battery:	950mAh Li-Poly
Wireless Mode:	Access Point Mode Infrastructure Mode
Network Service:	Web Server with extension FTP Server Samba Serve WebDAV Server
Compatible With:	iPad/iPhone/Android/WiFi Devices USB Mass Storage Compliant Devices

Designed in Silicon Valley, California by Sanho Corporation
All rights reserved. Copyright 2013.

Apple, iPad, iPhone are registered trademarks of Apple, Inc.
All other trademarks are copyrights are the property of
their respective owners